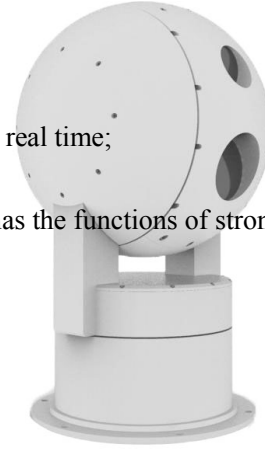


Sphere Rotating Stage HS-YJ500QW

I. Product Features

1. Can carry a variety of optical and detection equipment;
2. It has the functions of line scanning, cruising and automatic homing.
3. Rotating stage repeated positioning accuracy can reach $\pm 0.05^\circ$;
4. The azimuth, lens focal length and lens focus position can be transmitted back in real time;
5. Support zoom, focus control speed is continuously adjustable;
6. Made of aluminum alloy, the whole machine is reinforced and designed, which has the functions of strong wind resistance, salt spray resistance, high and low temperature resistance and so on;
7. Protection grade IP66;

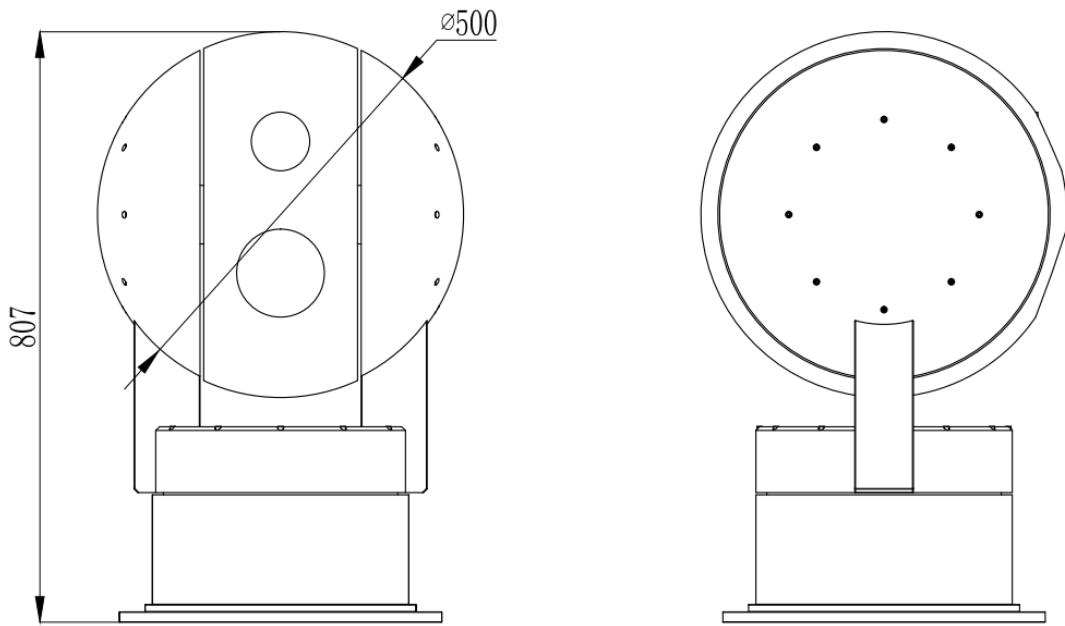


II. Detailed Technical Indicators:

Model	HS-YJ500QW
Spin velocity	Horizontal 0.01°~20°/s; Pitch 0.01°~10°/s (continuous variable speed)
Angle of rotation	Horizontal 0~360° continuous rotation (optional limit rotation); Pitch-45° ~+45°(customizable);
Presetting bit	200 Piece
Positioning accuracy	$\pm 0.2^\circ$
Repeatability	$\pm 0.2^\circ$
Positioning angle	0.1°
Return of position, focal	Optional
Pilot switch	2 groups, passive, normally open
Lens preset position	Support, adaptive FUJINON, COMPUTAR, KOWA and other lenses.
Lens control speed	Zoom and focus control speed can be adjusted continuously.
Automatic cruise	Eight, each with 10 cruise points.
Automatic homing	Automatic homing time of 1~60 minutes can be set.
Automatic scanning	1 article
Salt spray protection	When the PH value is between 6.5 and 7.2, after 48 hours of continuous spraying, the machine works
Protocol	PELCO_D(PELCO_D/PELCO_P optional)
Communication baud rate	9600bps(2400/4800/9600/19200 bps optional)
Communication interface	RS485(RS485/RS422/RS232 optional)

Input power range	AC/DC24V(AC/DC12/24/48V/AC220 optional)
Power consumption of	≤180W (no heating) ≤230W (heating)
Static power consumption	45W, heating 50W
Working temperature	-25°C~+55°C,90%±3%, Noncondensation (-40°C~+65°C optional)
Storage temperature	-40°C~+65°C
Load	≤40Kg
Measure	500X500X807
Overall weight	80Kg
Bearing mode	Side load
Transmission mode	Worm gear
The protection grades	IP66
MTBF	≥5000h
MTRR	≤30min

III. Outline Dimension



IV. Outside View Drawing

