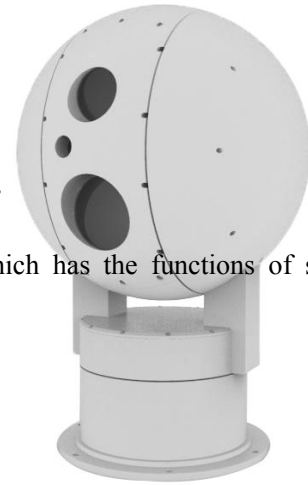


# Rotating Stage HS-YJ600QW

## I. Product Features

1. Can carry a variety of optical and detection equipment;
2. It has the functions of line scanning, cruising and automatic homing.
3. Rotating stage repeated positioning accuracy can reach  $\pm 0.2^\circ$ ;
4. The azimuth, lens focal length and lens focus position can be returned in real time;
5. Support zoom, focus control speed is continuously adjustable;
6. Made of aluminum alloy, the whole machine is reinforced and designed, which has the functions of strong wind resistance, salt spray resistance, high and low temperature resistance and so on;
7. Protection grade IP66;

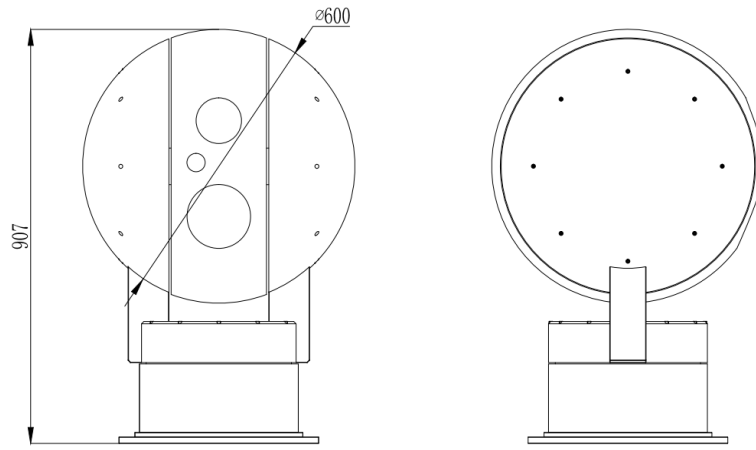


## II. Detailed Technical Indicators:

Model	HS-YJ600QW
Spin velocity	Horizontal $0.01^\circ \sim 20^\circ/s$ ; Pitch $0.01^\circ \sim 10^\circ/s$ (continuous variable speed)
Angle of rotation	Horizontal $0 \sim 360^\circ$ continuous rotation (optional limit rotation); Pitch $-45^\circ \sim +45^\circ$ (customizable);
Presetting bit	200 Piece
Positioning accuracy	Attainability $\pm 0.2^\circ$
Repeatability	$\pm 0.2^\circ$
Positioning angle resolution	$0.1^\circ$
Return of position, focal length, etc.	Optional
Pilot switch	2 groups, passive, normally open
Lens preset position	Support, adaptive FUJINON, COMPUTAR, KOWA and other lenses.
Lens control speed	Zoom and focus control speed can be adjusted continuously.
Automatic cruise	Eight, each with 10 cruise points.
Automatic homing	Automatic homing time of 1 ~ 60 minutes can be set.

Automatic scanning	1 article
Salt spray protection (optional)	When the PH value is between 6.5 and 7.2, after 48 hours of continuous spraying, the machine works normally and the surface has no obvious change.
Protocol	PELCO_D(PELCO_D/PELCO_P optional)
Communication baud rate	9600bps(2400/4800/9600/19200 bps optional)
Communication interface	RS485(RS485/RS422/RS232 optional)
Input power range	AC/DC24V(AC/DC12/24/48V optional)
Power consumption of whole machine	≤180W (no heating) ≤230W (heating)
Static power consumption	45W, heating 50W
Working temperature	-25°C~+55°C, 90%±3%, Noncondensation (-40°C~+65°C optional)
Storage temperature	-40°C~+65°C
Load	≤45Kg
Measure	600X600X907mm
Overall weight	90Kg
Bearing mode	Side load
Transmission mode	Worm gear
The protection grades	IP66
MTBF	≥5000h
MTTR	≤30min

### III. Outline Dimension



#### IV. Outside View Drawing

